

think process!

WP Haton



DOUGH HOPPER

Hopper for dough

WP BAKERYGROUP

think process!

DOUGH HOPPER

Picture Dough Hopper

PARTICULARLY USED IN AUTOMATIC DOUGH HANDLING SYSTEMS FOR FEEDING AND PORTIONING OF A COMPLETE DOUGH BATCH (UP TO 900 LITRES) TO THE DIVIDER. BY USING THE HOPPER, THE PRESSURE, AND THE AMOUNT OF DOUGH IN THE DOUGH HOPPER OF THE DIVIDER ARE CONSTANT, WHICH IS VERY IMPORTANT FOR AN ACCURATE WEIGHT CONSISTENCY.



BENEFITS

- Frame and hopper in stainless steel
- Suitable for many different types of dough
- Different dough hopper sizes possible
- Safe design
- Dough dividing by less pressure of the dough in the divider
- Higher weight accuracy of the divider
- Different types of material inside the hopper available to avoid sticking
- Automatic control of the operation

BASIC EXECUTION:

- Robust construction
- Frame and hopper stainless steel
- Platform with safety rail
- Ladder stainless steel, removable, with aluminium stairs and railing
- Pneumatic controlled dough slide
- Dough level detection of the divider with 2 photocells
- Oil spraying device, pneumatic (5 nozzles)
- For placing above various bread and roll dividers of WP Haton and WP. Other dividers upon request.

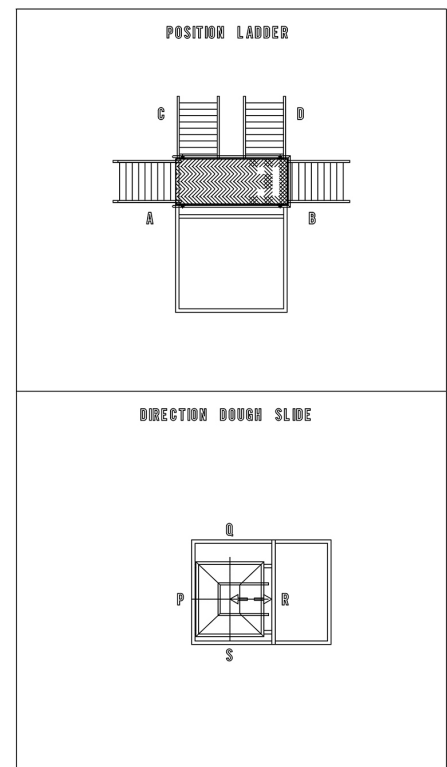
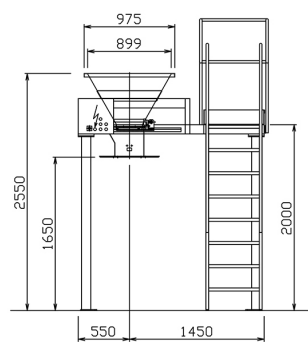
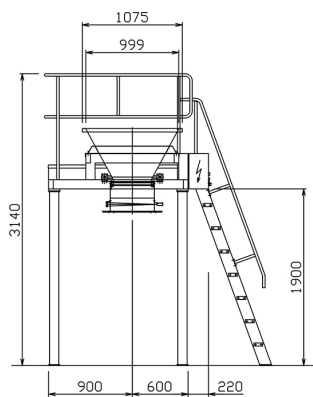
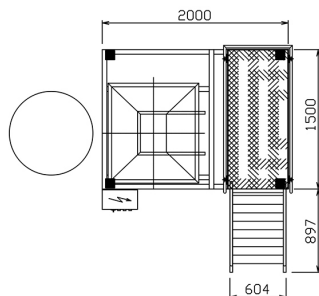
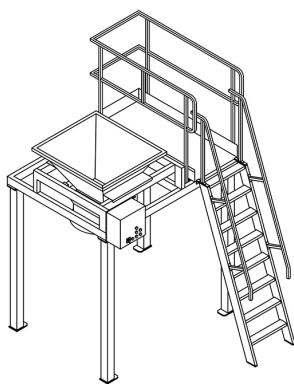


Illustration Dough Hopper

DOUGH HOPPER

TYPE

(Dough hopper contents depending on divider and dough hopper size of the divider).

Contents for B/V 300	240 litres
Contents for Parta U	285 litres
Contents for Parta U XL	285 litres
Contents for B/V 700	330 litres
Different size of dough hopper upon request	

WEIGHT

CONNECTED LOAD

COMPRESSED AIR

net 300 kg	230/400 V, 50 Hz + earth	Consumption 100 litre/h.
gross 490 kg	0,3 kVA	at 6 bar pressure

OPTIONS

- Capacity hopper up to 500 litres
- Capacity hopper up to 900 litres
- Hopper inside Teflon coated, outside stainless steel
- Hopper inside HDPE coated, outside stainless steel
- Dough level detection in dough hopper, acoustic or visual signal for communication with the bowl tipper
- Hopper movable for cleaning purposes
- Customer specific Blue Box

WP HATON BV

Industrieterrein 13 // 5981 NK Panningen // Netherlands // Phone +31 77307-1860 // Fax +31 77307-5148 //
info@wp-haton.com // www.wp-haton.com