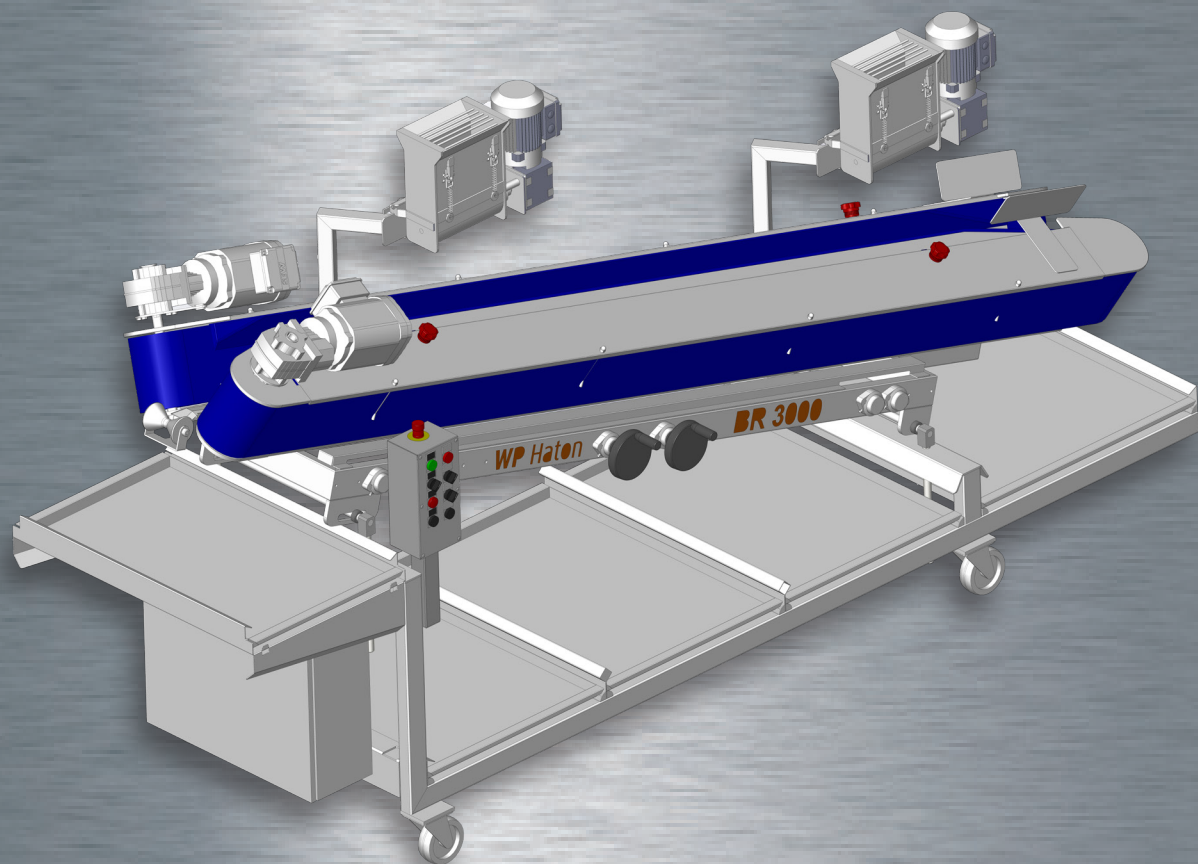


think process!

WP Haton



BR 3000

Industrial Belt Rounder

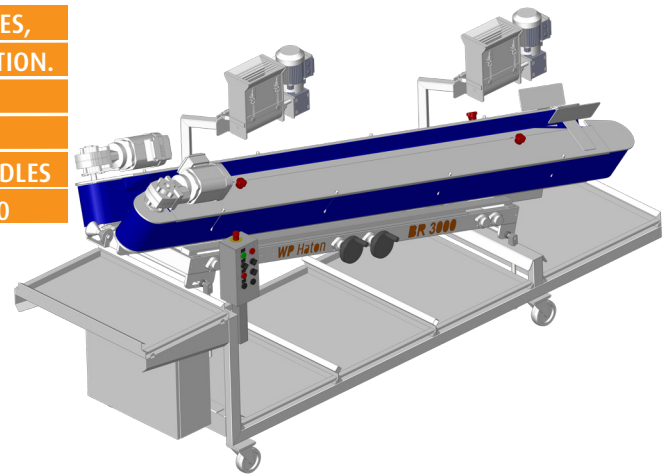
WP BAKERYGROUP

think process!

BR 3000

Picture BR 3000

DEVELOPED ESPECIALLY FOR BREAD LINES WITH HIGH CAPACITIES, MANY PRODUCTION HOURS, AND A HIGH DEGREE OF AUTOMATION. THE BELT ROUNDER CAN BE USED TO PRODUCE ROUND DOUGH PIECES MADE OF WHEAT, RYE, OR OTHER DOUGH WITH A LOW GLUTEN CONTENTS OR VERY STICKY DOUGH. THE BR 3000 HANDLES DOUGH WEIGHTS UP TO 2200 GR WITH AN OUTPUT UP TO 3000 PCS/H.

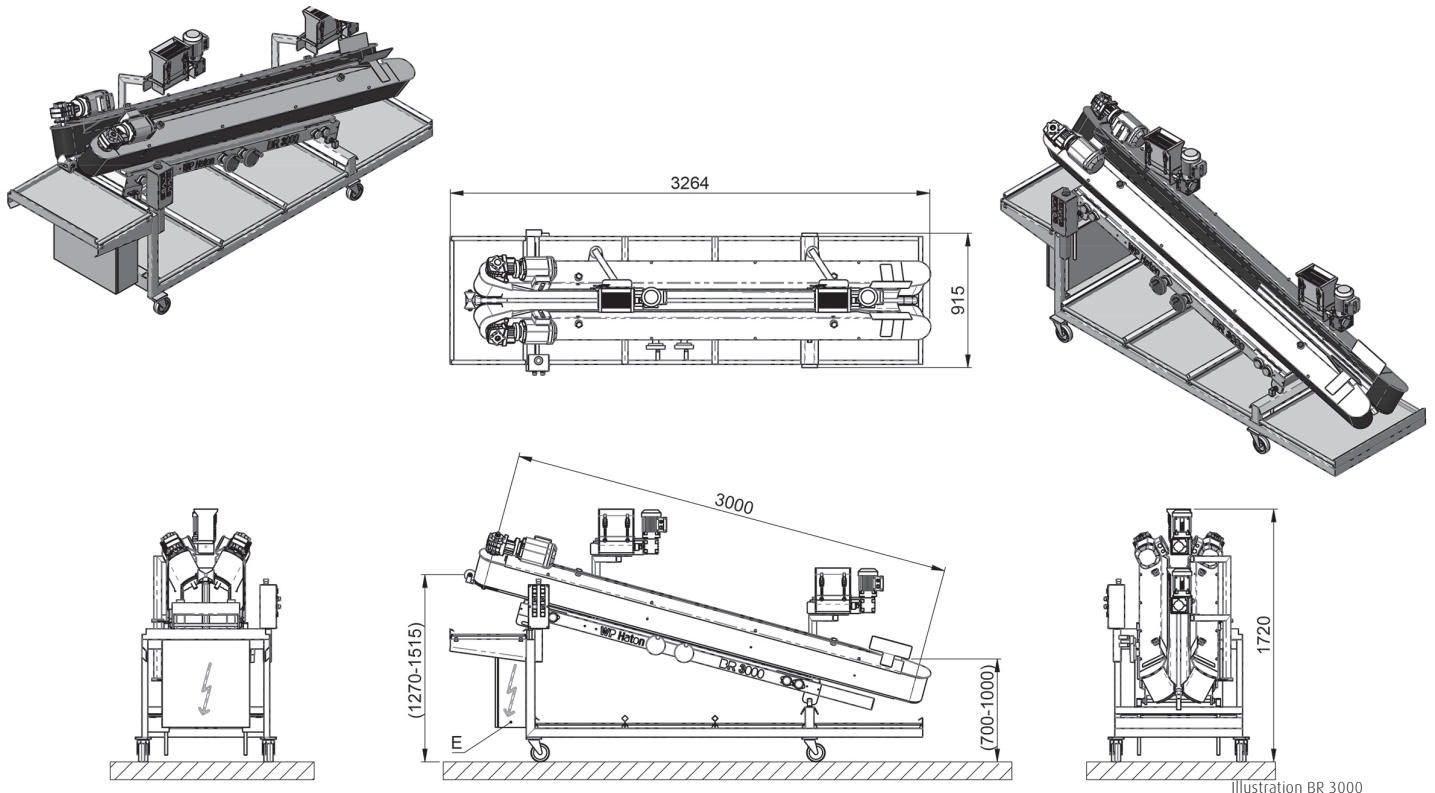


BENEFITS

- Frequency regulated belt speeds for variable rounding characteristics
- Quick-lock adjustment of the belts for easy cleaning (CleanTec)
- 3-way adjustment of the rounding path - bottom path (by opening the V belt) - top (by opening the angle) - middle V (by adjusting the insert pieces)
- Use of plastic materials for easy cleaning
- Frame and other important parts out of stainless steel
- Flour duster frequency inverter and integrated dough detector
- Discharge conveyor can be used as positioning belt - option
- Plastic containers underneath belt rounder path
- The BR 3000 is movable
- Rounding path is approx. 3 mtr.

BASIC EXECUTION:

- Undercarriage stainless steel, movable by 4 swivel castors
- 2 felt belts in V shape (synthetic belts upon request)
- Per belt 1 drive, both adjustable by means of frequency inverter - 1 belt reversible
- One flour duster frequency controlled with photocell
- Quick-lock adjustment of belts (CleanTec)
- Rounding path 3000 mm
- Rounding path can be adjusted by opening the V-angle, top and bottom as well as adjusting the inserts
- Flour-collecting trays under complete machine



BR 3000

TYPE	WEIGHT RANGE*	CAPACITY
BR 3000	200 - 2200 gr *higher dough weight upon request	< 3000 pcs/h., depending on weight and dough consistency

DIMENSIONS		WEIGHT	CONNECTED LOAD
Length	3265 mm	nettkg	230/400 V, 3 phase, 50 Hz
Width	915 mm	gross.....kg	drive moulding belt 2x 0,75 kW
Height	1735 mm		drive flour duster 0,12 kW

OPTIONS

- Second flour duster
- Discharge conveyor executed as positioning / step belt
- Customer specific Blue Box

WP HATON BV

Industrieterrein 13 // 5981 NK Panningen // Netherlands // Phone +31 77307-1860 // Fax +31 77307-5148 //
info@wp-haton.com // www.wp-haton.com