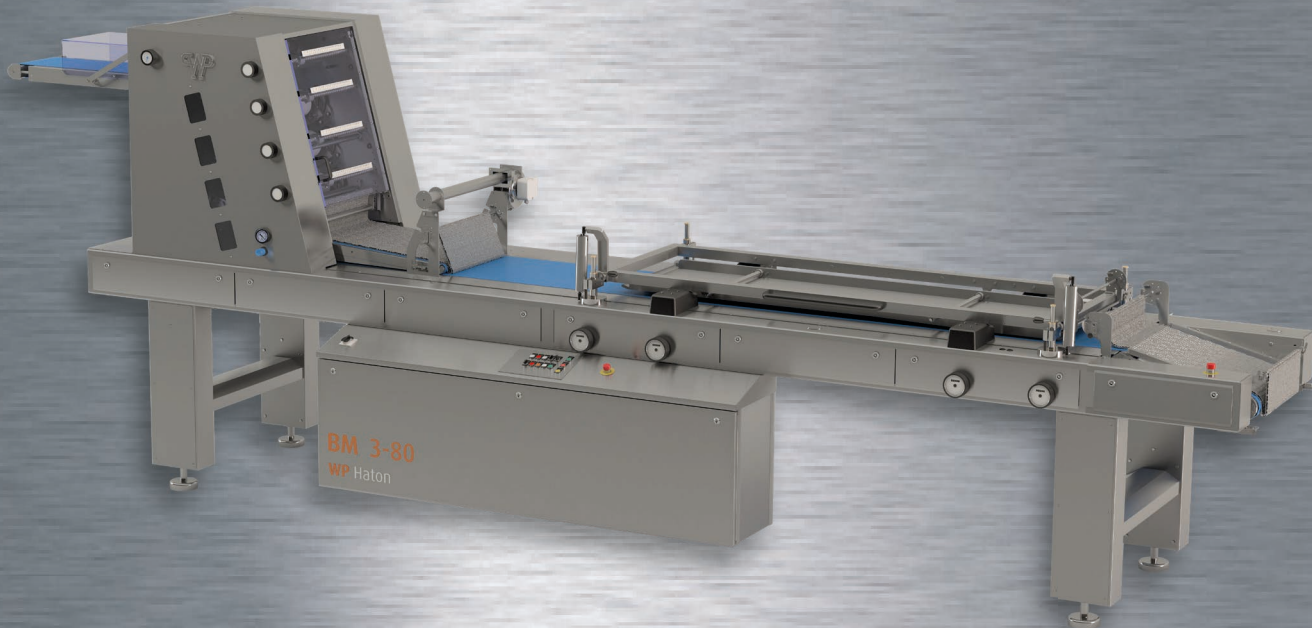


*think process!*

**WP** Haton



# BM 3-80

Industrial Long Moulder

**WP** BAKERYGROUP

*think process!*

# BM 3-80

Picture BM 3-80

SUITABLE FOR WHEAT AND WHEAT/RYE DOUGHS  
FOR HIGH CAPACITY LINES UP TO 4000 PCS/ H.  
(DEPENDING ON DOUGH WEIGHT/TYPE).



## BENEFITS

- Visual control of sheeting process by side windows
- Separate driven curling belt
- Extra heavy pressure board
- Easy opening and cleaning of pressure boards
- Continuous cleaning of sheeter rollers: 2 scrapers per roller pair
- Adjustable settings of rollers and speed with digital read-out
- Perfect reading of settings for good repeating of products
- 3 pair of rollers with own drive for progressive sheeting of dough pieces
- Air blowing device on sheeting rollers
- Direct gear drive on each pair of rollers for clean and silent drive
- Extreme stabile construction
- Pinning roller with own drive at infeed
- Sheetting of round dough pieces as well oblong dough pieces (pre moulded)

## BASIC EXECUTION:

- Infeed conveyor with driven pressure roller and adjustable centring rollers
- 3 individually driven sheeting roller pairs with fixed drive, opening sheeting rollers adjustable between 1 and 25 mm
- Rollers width 400 mm, Ø 125 mm, equipped with hinged Teflon coated scrapers
- Continuous cleaning of sheeting rollers through tilting scrapers
- Drying device on all sheeting rollers, front and back
- Windows in sheeting head
- Frame completely stainless steel and aluminium
- Separate curling belt, adjustable in speed
- Adjustable stainless steel, curling net on curling belt
- Pressure board adjustable in height, 1xV, L=1950 mm, with adjustable side guides
- Maximum moulding length 440 mm (depending on dough weight)
- Cover plates stainless steel
- Moulding bridge stainless steel, with separate belt drive and frequency inverter
- Electrical switch box stainless steel

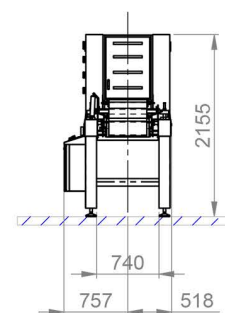
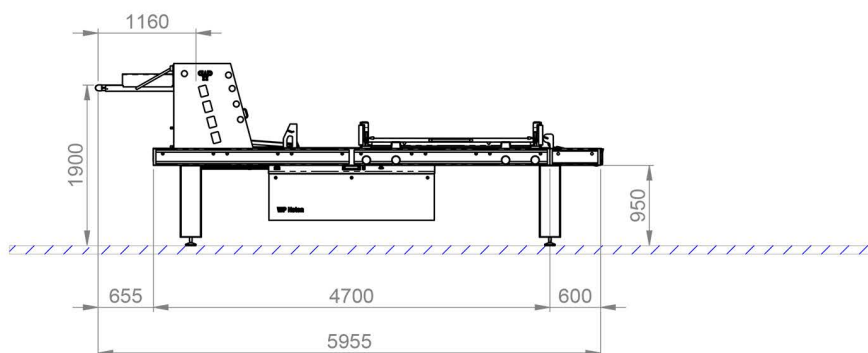
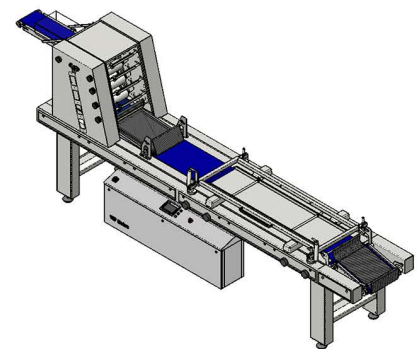
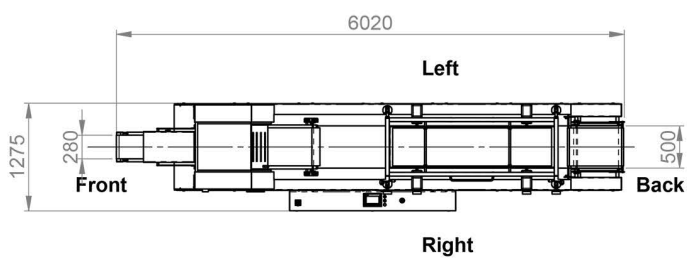


Illustration BM 3-80

## BM 3-80

TYPE	WEIGHT RANGE	CAPACITY
3-80 program:	200 - 1100 gr	< 4000 pcs/h., at 1000 gr dough weight
- with pressure board		
- in extended version with 2 pressure boards		
- extended version with 1 pressure board and 1 driven top moulding belt		

DIMENSIONS*	WEIGHT	CONNECTED LOAD
Length 6020 mm	net 2900 kg	230/400 V, 50 Hz + earth 6 KVA*
Width 1275 mm	gross 3100 kg	
Height 2155 mm	Shipping volume ... m <sup>3</sup>	
* Standard BM 3-80 version		

### OPTIONS

- Pre-set counter
- Operator platform at sheeting head
- Air on separate curling belt
- Adjustable, pneumatic pressure controlled sheeting roller
- Driven top moulding belt, running against dough flow, instead of pressure board
- Flour duster with own drive and photocell for dough detection
- Air on driven top moulding belt running against dough flow
- Air on curling belt
- Twister (Swing Away) (4 pieces)
- Twister-device (6 pieces)
- Depositing device, triangle roller max. 3600 pcs/h.
- Depositing device, triangle roller with positioning max. 3000 pcs/h.
- Panning conveyor running with overhead- or bottom stopper L=5300 mm
- Extra length per 1000 mm
- Overhead stopper
- Bottom stopper
- Peelboard stopper
- Tin signalisation
- Panning conveyor with magnetic pan-indexing system L=5300 mm (external stopper recommended)
- Customer specific Blue Box

#### WP HATON BV

Industrieterrein 13 // 5981 NK Panningen // Netherlands // Phone +31 77307-1860 // Fax +31 77307-5148 // info@wp-haton.com // www.wp-haton.com